

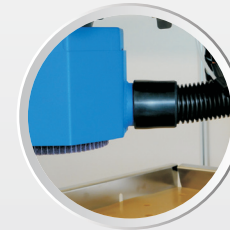
MANUAL DEBURRING MACHINE

FAPI-STARGRINDER

The deburring machine FAPI-STARGRINDER is the next generation of manual deburring machines for small and medium production series. Due to pneumatic support, the swivel arm can be easily moved to the workpiece which should be treated. The quick clamping fixture located on the head enables a fast and problem-free assembly of the deburring discs FAPI-FIT. With the existing vacuum the workpieces are held in their position. An extraction system mounted directly on the deburring discs removes the grinding dust. The orbital sander, which is positioned on the side in a holder, offers the possibility to process particular strong burrs in advance with a velcro-backed grinding disc.



fast tool change by
the FIT-quick release



extraction directly
at the deburring disc



pneumatic supported
swivel arm



LED lighting directly
at the deburring disc



additional orbital sander



(Not suitable for aluminium processing!)

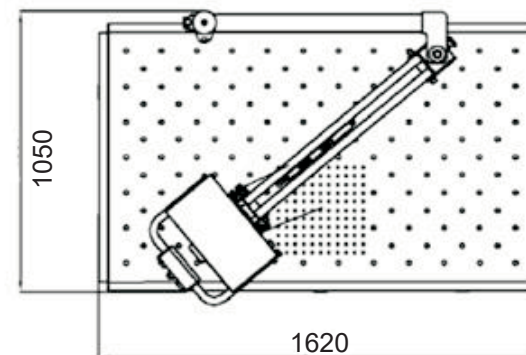
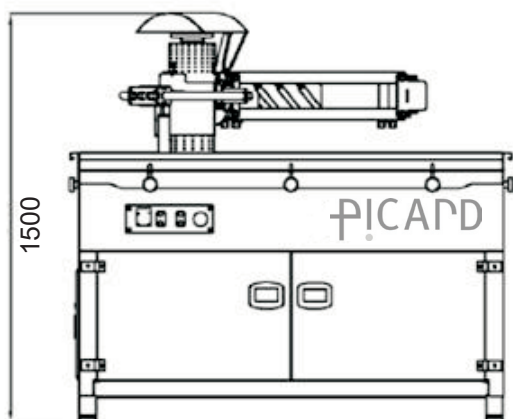
MANUAL DEBURRING MACHINE

FAPI-STARGRINDER

PICARD

Friedrich August Picard
GmbH & Co. KG

WISSEN WORUM ES SICH DREHT



TECHNICAL DATA FAPI-STARGRINDER

Working area	1.500 x 880 mm
Suction area	300 x 300 mm
motor output	3,8 kW
Continuous speed control	800 - 2.200 1/min
suction motor output	3,0 kW
Tool-diameter	150 mm
Working radius swivel arm	1,8 m
Dimensions	1.620 x 1.050 x 1.500 mm
Machine weight	400 kg
Max. weight workpiece	200 kg
Voltage	3 x 400V/16A, 50Hz
Protection class	IP

TECHNICAL DATA ORBITAL SANDER D150/5

Max. speed	12.000 1/min
Grinding stroke	5 mm
Max. compressed air supply	6,2 bar
Compressed air connection	5/16" thread
Velcro-backed grinding disc-Ø	150 mm

Please note: Due to explosive dusts, this machine is not suitable for grinding aluminium.